

1141260
TRVK 200 NEO 230V 50HZ SPH H50 200KG

3300442_1141260_R00W - R00W (10/10/2024)



Access Platform Division

Via San Francesco d'Assisi, 8 - 46020 Pegognaga (Mantova) - ITALY Tel. +39 0376
554011 - Fax +39 0376 559855

www.imergroup.com

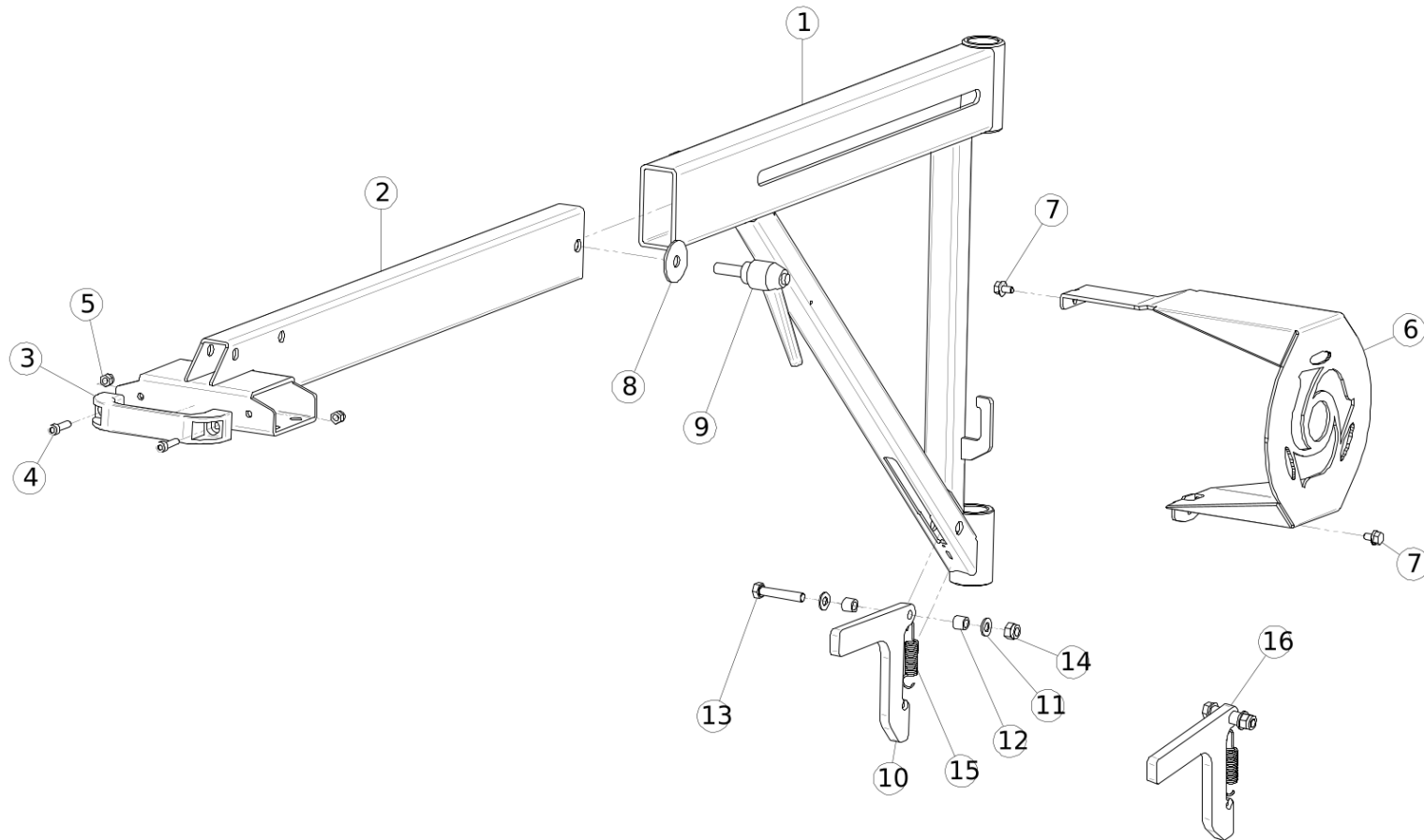
Building Equipment Division

Via della Meccanica, 39 (Zona Industriale Sentino) - 53040 Rapolano Terme
(Siena) - ITALY - Tel. +39 0577 97341 - Fax +39 0577 704077

www.imergroup.com

www.imerglobalcustomercare.com

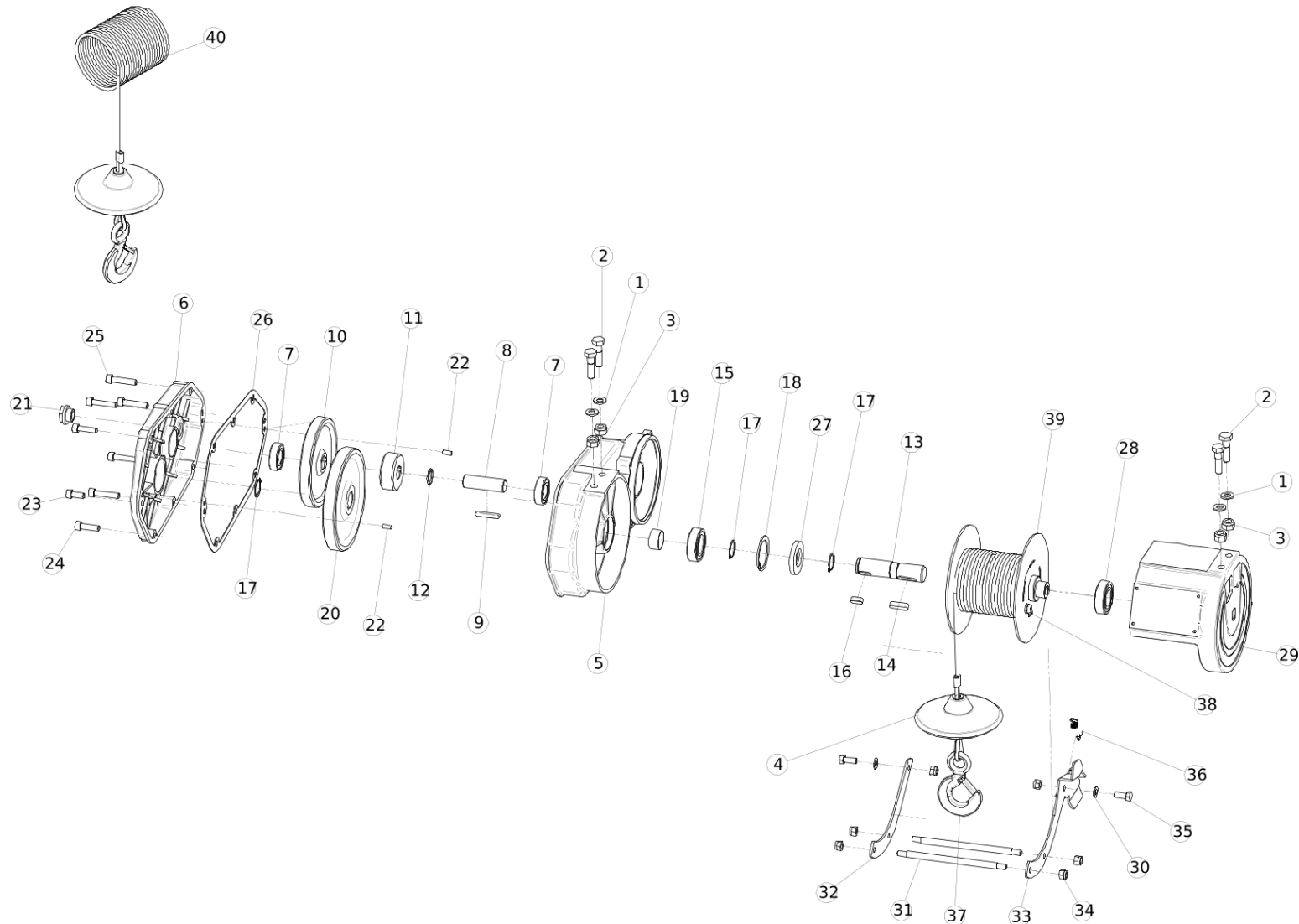
FRAME





N.	CODE	DESCRIPTION	UM	QTY
1	3300308	SUPPORT		1.0
2	3300311	FRAME		1.0
3	3204888	Handle	PZ	1.0
4	2222541	SCREW/SAW	PZ	2.0
5	2223924	NUT	PZ	2.0
6	3300367			1.0
7	3225750	BOLT/SAW	PZ	2.0
8	2224220	WASHER	PZ	1.0
9	2201950	Handle	PZ	1.0
10	3300303	HANDLE	PZ	1.0
11	2224140	ROLLER 6593	PZ	2.0
12	3300304	HANDLE SPACER		2.0
13	2222189	BOLT/SAW	PZ	1.0
14	2223923	LOCK NUT	PZ	1.0
15	3224645	LIMIT SWITCH SPRING BE 200	PZ	1.0
16	3300353			1.0

GEARBOX AND STEEL ROPE





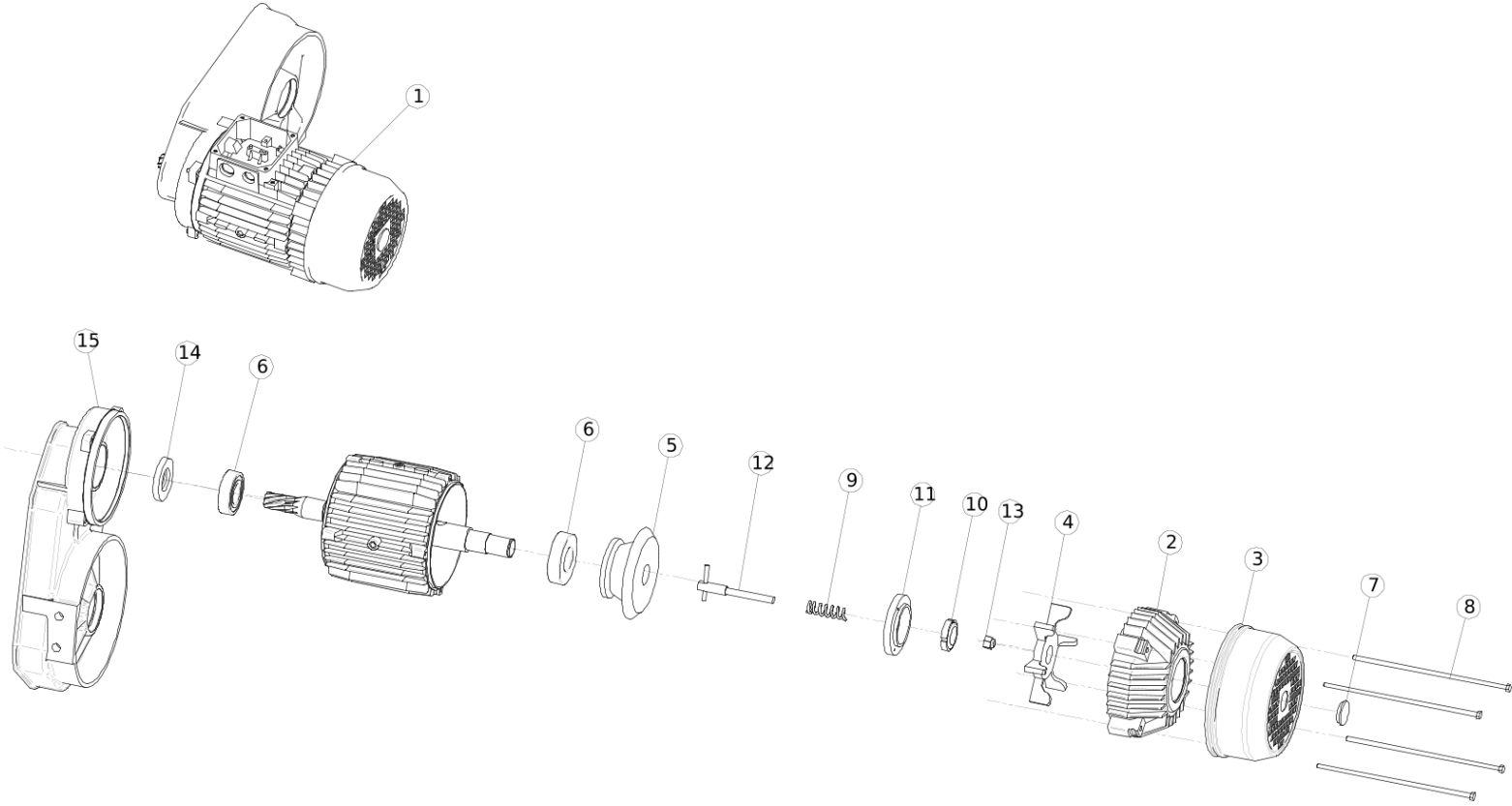
N.	CODE	DESCRIPTION	UM	QTY
1	2224340	ROLLER/MORTAR PUMP	PZ	4.0
2	2222099	SCREW	PZ	4.0
3	2223920	SELF-LOCKING NUT	PZ	4.0
4	2214510	BALLAST B 300	PZ	1.0
5	3300344	REDUCER CASING		1.0
6	3225254	GEARMOTOR FLANGE	PZ	1.0
7	2204440	Bearing	PZ	2.0
8	2201130	SHAFT	PZ	1.0
9	2229327	KEY	PZ	1.0
10	3213528	GEAR Z76 M1,75	PZ	1.0
11	3236701	GEARING		1.0
12	2237301	SPACER	PZ	1.0
13	3300269	DRUM TREE		1.0
14	2229400	KEY	PZ	1.0
15	2204550	Bearing	PZ	1.0
16	2229450	KEY	PZ	1.0
17	2227280	2227280 RING SNAP	PZ	3.0
18	2227700	STOP RING	PZ	1.0
19	2237299	SPACER	PZ	1.0
20	3236702	GEARING		1.0
21	2235420	level	PZ	1.0



N.	CODE	DESCRIPTION	UM	QTY
22	2228820	Gudgeon pin	PZ	2.0
23	2222509	SCREW	PZ	1.0
24	2222513	SCREW	PZ	2.0
25	2222514	SCREW	PZ	5.0
26	2216331	GASKET	PZ	1.0
27	2207355	STOP RING	PZ	1.0
28	2204391	Bearing	PZ	1.0
29	3300277	DRUM SUPPORT	PZ	1.0
30	2224140	ROLLER 6593	PZ	4.0
31	3300291	ROUND LIMIT SWITCH	PZ	2.0
32	3300289	RIGHT LIMIT SWITCH PLATE	PZ	1.0
33	3300287	LEFT LIMIT SWITCH PLATE	PZ	1.0
34	2223923	LOCK NUT	PZ	6.0
35	2222060	SCREW	PZ	2.0
36	3224645	LIMIT SWITCH SPRING BE 200	PZ	1.0
37	2213267	HOOK	PZ	1.0
38	3300281	SCREW		1.0
39	3300274	DRUM ELEVATOR '23	PZ	1.0
40	3300917	WIRE ROPE	PZ	1.0



ELECTRIC MOTOR

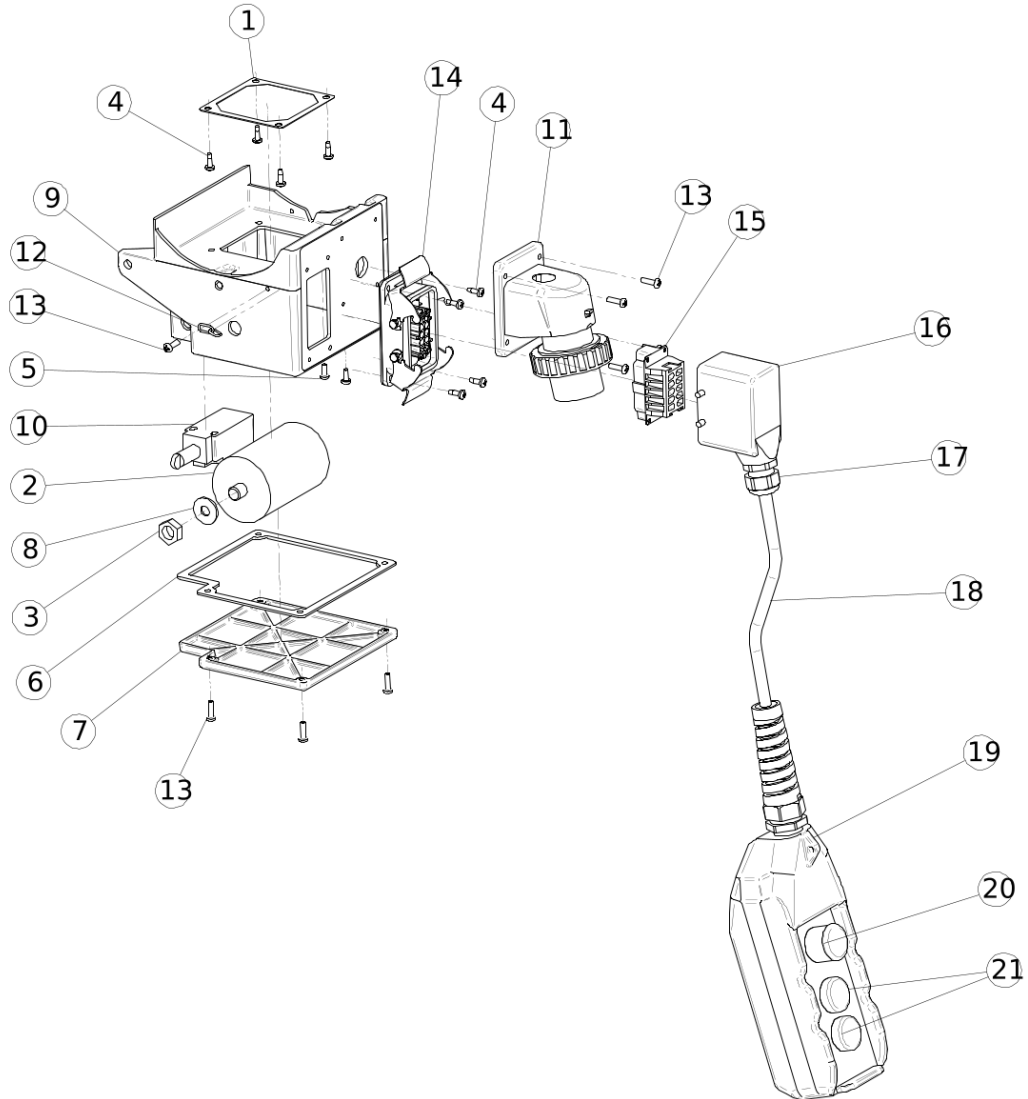




N.	CODE	DESCRIPTION	UM	QTY
1	3300345	SELF-BRAKING MOTOR	PZ	1.0
2	3233435	PM 2346031 MOTOR FIR MEC SHIELD 90	PZ	1.0
3	3233440	234641 ENGINE FAN COVER FIR MEC 90	PZ	1.0
4	3233442	4387042 FAN MOTOR FIR MEC 90	PZ	1.0
5	3233436	2346174PM ENGINE BRAKE LOG FIR MEC 90	PZ	1.0
6	2204391	Bearing	PZ	2.0
7	3225021	MOTOR FAN COVER CAP 4369 230V	PZ	1.0
8	3233433	SCREW TE SPEC. M6 X 210		4.0
9	3225015	ENGINE BRAKE SPRING 4369 230V	PZ	1.0
10	3300780	RING M30X1,5	PZ	1.0
11	3233441	FIR MEC 90 MOTOR LOCKING NUT	PZ	1.0
12	3225016	ENGINE CYLINDER 4369 230V	PZ	1.0
13	3225034	NUT. M.8 SX Z	PZ	1.0
14	2207355	STOP RING	PZ	1.0
15	3300344	REDUCER CASING		1.0



ELECTRIC PANEL AND REMOTE CONTROL





N.	CODE	DESCRIPTION	UM	QTY
1	2216321	GASKET	PZ	1.0
2	3231853	CAPACITOR MF. 65 V450 D60X90 FASTON M12	PZ	1.0
3	2223705	NUT	PZ	1.0
4	2222460	SCREW/CONC.MIXER	PZ	8.0
5	2222464	SCREW	PZ	2.0
6	3300284	ELECTRIC BOX GASKET	PZ	1.0
7	3300285	ELECTRIC BOX COVER	PZ	1.0
8	2224204	ROLLER/SAW	PZ	1.0
9	3300305	ELECTRIC BOX		1.0
10	3200005	DOWN LIMIT SWITCH	PZ	1.0
11	3203084	PIN	PZ	1.0
12	3213922	DOUBLE GENOVESE SWEATER 12		1.0
13	2222461	SCREW/MN	PZ	9.0
14	2284901	Connector	PZ	1.0
15	2284902	Connector	PZ	1.0
16	2284909	CONNECTOR	PZ	1.0
17	3201442	CABLE CLAMP/SAW	PZ	1.0
18	2277760	CABLE	M	1.0
19	3231738	PUSH BUTTON PANEL 3P 30A 3NO+1NC + M25 D	PZ	1.0
20	3234223	'EMERGENCY BUTTON "K" ELEVATOR PUSH BU	PZ	1.0
21	3301400		PZ	1.0



Access Platform Division

Via San Francesco d'Assisi, 8 - 46020 Pegognaga (Mantova) - ITALY Tel. +39 0376
554011 - Fax +39 0376 559855

www.imergroup.com

Building Equipment Division

Via della Meccanica, 39 (Zona Industriale Sentino) - 53040 Rapolano Terme
(Siena) - ITALY - Tel. +39 0577 97341 - Fax +39 0577 704077

www.imergroup.com